

TRITORC



HYDRAULIC TORQUE WRENCHES

CONTROLLED BOLTING

HYDRAULIC TORQUE WRENCHES SQUARE DRIVE

Hydraulic Torque Wrenches are a work horse of the bolting world, readily available and proven, the wrenches have a wide variety of applications.

SPECIFICATIONS:

- Available torque ranges up to 50,000 Ft. Lbs. with Maximum operating pressure of 10000 PSI (700 bar).
- TRITORC Hydraulic Torque Wrenches maintain an accuracy of $\pm 3\%$ while torquing..

TRITORC manufactures Simple, Faster, Efficient and Reliable Hydraulic Torque Wrenches that are user friendly.

There are -

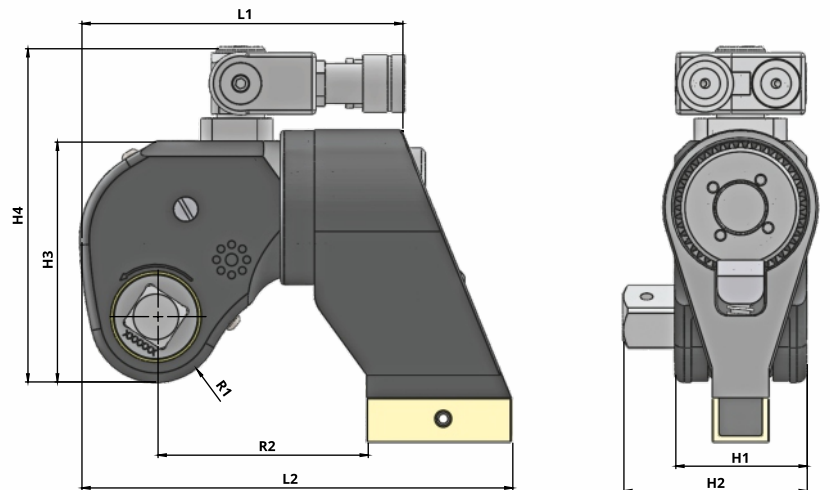
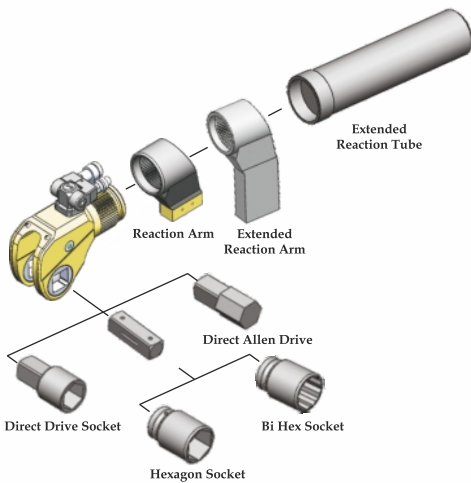
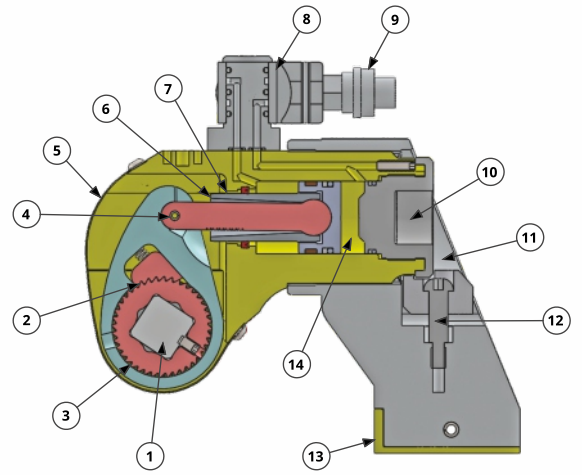
- Provision for lifting tools / handle.
- Standard spline design with torque effective length for exact PCD engagement of reaction Arm.
- High strength aerospace aluminium material for light weight and stronger body design with Heat treated components.
- Scratch proof hard anodized body and reaction arm.
- High pressure seal design.
- Quick push through drive for ease of loosening and tightening.
- Industries that this tool finds utility in includes Oil and Gas, Refineries, Pipelines, Power Generation, Boiler Industry, Turbines and many more.



TECHNICAL DATA

		TSL-07	TSL-1	TSL-3	TSL-5	TSL-8	TSL-10	TSL-15	TSL-20	TSL-25	TSL-35	TSL-50
	Sq. Dr.	3/4"	3/4"	1"	1.1/2"	1.1/2"	1.1/2"	2.1/2"	2.1/2"	2.1/2"	2.1/2"	2.1/2"
Min. Torque	Nm	112	183	450	737	1078	1551	2243	2719	3472	4866	6925
	Ft.Lbs	81	134	328	536	783	1054	1654	1976	2523	3535	5030
Max Torque	Nm	1120	1837	4500	7379	10780	15519	23201	27197	34725	48666	69247
	Ft.Lbs	814	1344	3278	5361	7831	10540	16547	19757	25226	35354	50300
Tool Weight	Kg	1.8	2.5	4.9	9.5	10.8	14.7	23	26	35	50	65
	Lbs	4.0	5.5	10.8	20.9	23.8	32.4	50.7	57.3	77.2	110.3	143.3

- 01) Quick push through drive for ease of loosening and tightening.
- 02) Fine Ratchet and Pawl for better engagement.
- 03) Multi tooth drive segment ensures and engagement upto 32°.
- 04) Balanced drive Rod - Side load free piston movement.
- 05) Laser engraved torque chart in (Nm & ft lbs).
- 06) Hard chrome plating on piston rod ensures better wear resistance of rod seal.
- 07) Self lubricating low Nickel Bronze drive bush protects the body from wear.
- 08) 360° x 180° swivel for Hydraulic Couplers offer better degree of movement.
- 09) Leak proof quick connect couplers for easy and safe operation.
- 10) End-cap design for sufficient back pressure for smooth piston forward force.
- 11) Rigid reaction suitable for heavy load application.
- 12) Simple design reaction arm release button for ease of operations.
- 13) Alloy Steel reaction boot (Available in multi-color option).
- 14) Cold worked cylinder bore for longer life and super finish for long working conditions.



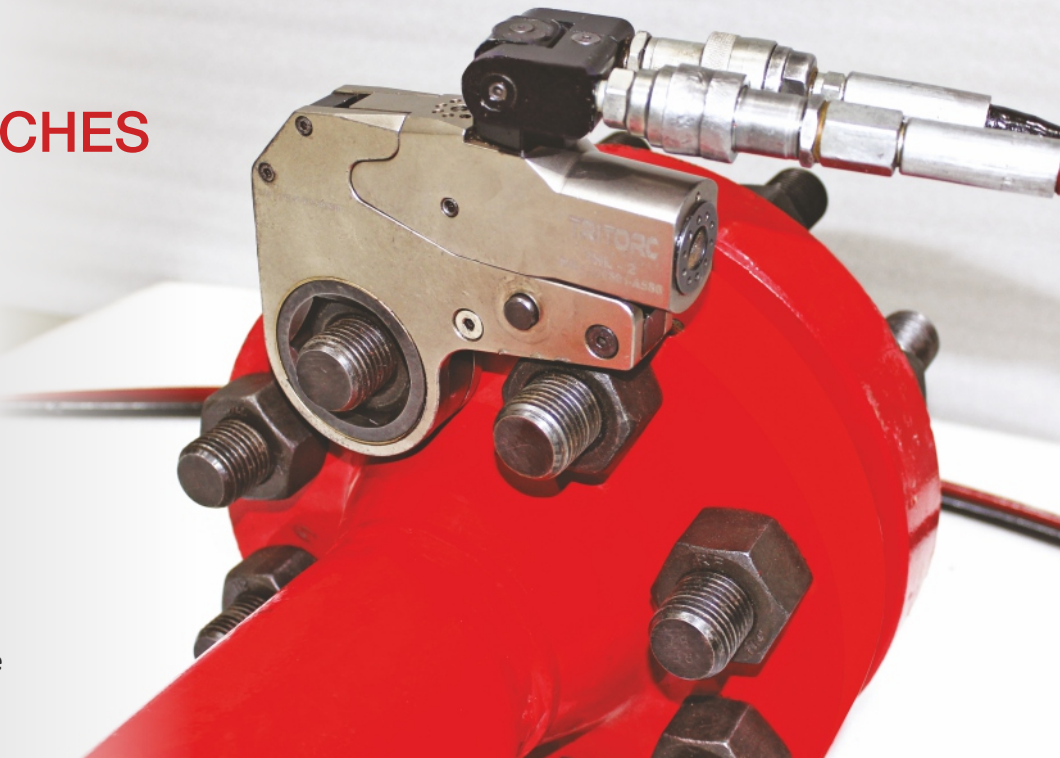
DIMENSIONAL DATA

	TSL-07	TSL-1	TSL-3	TSL-5	TSL-8	TSL-10	TSL-15	TSL-20	TSL-25	TSL-35	TSL-50
Body Length (L1) mm (inch)	117 4.61	143 5.63	178 7.01	213 8.39	226 8.90	246 9.69	272 10.71	309 12.17	325 12.80	372 14.65	387 15.24
Overall Length (L2) mm (inch)	139 5.47	171 6.73	228 8.98	275 10.83	292 11.50	317 12.48	352 13.86	387 15.24	402 15.83	466 18.35	518 20.39
Tool Width (H1) mm (inch)	42 1.65	52 2.05	69.5 2.74	82.5 3.25	84 3.31	102 4.02	111 4.37	128 5.04	136.5 5.37	153 6.02	167.5 6.59
Overall Width (H2) mm (inch)	67 2.64	75 2.95	97 3.82	122 4.80	132 5.20	141 5.55	185 7.28	203 7.99	207 8.15	226 8.90	239 9.41
Tool Height (H3) mm (inch)	80 3.15	96 3.78	127 5.00	149 5.87	168 6.61	182 7.17	197 7.76	213 8.39	252 9.92	283 11.14	301 11.85
Overall Height (H4) mm (inch)	117 4.61	133 5.24	177 6.97	199 7.83	218 8.58	232 9.13	247 9.72	262 10.31	301 11.85	333 13.11	351 13.82
Tool Radius (R1) mm (inch)	21.5 0.85	26.3 1.04	34.5 1.36	39 1.54	47 1.85	51 2.01	57.5 2.26	59 2.32	66 2.60	77.5 3.05	80.5 3.17
Reaction Reach (R2) mm (inch)	67 2.64	84 3.31	111 4.37	140 5.51	148 5.83	153 6.02	170 6.69	187 7.36	202 7.95	241 9.49	258 10.16

HYDRAULIC TORQUE WRENCHES HEX DRIVE

TRITORC THL Series Direct Hex Drive Hydraulic Torque Wrenches are designed for extreme low spaces where normal tools cannot reach.

The light weight and compact hydraulic cylinder is made of high strength alloy steel. There are 5 Models in THL Series ranging from 230 - 45000 Nm. All models have small nose radius which allows the tool to fit in constraint spaces.



SPECIFICATIONS:

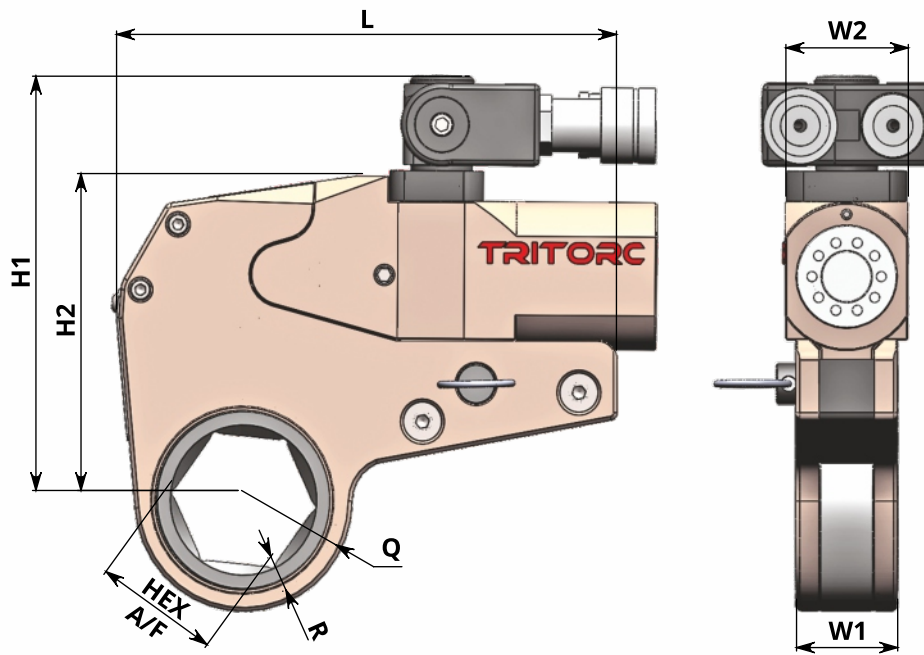
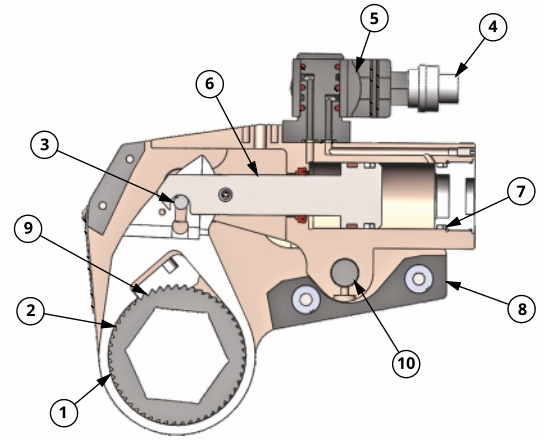
- The rod engages in the first stroke thus removing any backlash.
- The ratchet and pawl have a finer tooth for better engagement and torqueing.
- The quick connectors for the hydraulic lines are leak-resistant for safety even under pressure.



TECHNICAL DATA

Technical Data	Units	THL-2	THL-4	THL-8	THL-14	THL-32					
Min. Torque	Nm	273	315	578	677	1228	1508	2168	2402	4919	5191
	Ft. Lbs	201	232	426	499	906	1112	1599	1772	3628	3829
Max. Torque	Nm	2728	3008	5781	6733	12281	15078	21675	24022	49192	51909
	Ft. Lbs	2012	2219	4264	4966	9058	11121	15987	17718	36282	38286
Hex Across Flat	mm	19-48	49-60	33-56	57-80	41-80	81-105	50-99	100-120	90-145	146-175
	Inch	3/4 - 1.7/8	1.15/16 - 2.3/8	1.5/16 - 2.3/16	2.1/4 - 3.1/8	1.5/8 - 3.1/8	3.3/16 - 4.1/8	2 - 3.7/8	3.15/16 - 4.3/4	3.7/8 - 5.11/16	5.3/4 - 6.7/8
Drive Unit Weight	Kg	1.5	1.5	3.2	3.2	5.3	5.3	9.8	9.8	15	15
	Lbs.	3.3	3.3	7.1	7.1	11.7	11.7	21.6	21.6	33.1	33.1
Ratchet Unit Weight	Kg	1.7	1.85	4.1	4.2	8.7	8.8	11.5	15.5	32	35
	Lbs.	3.7	4.1	9.0	9.3	19.2	19.4	25.4	34.2	70.6	77.2

- 1) Self-lubricating low Nickel Bronze for drive bush to protect body from wear.
- 2) Fine Ratchet and Pawl for better engagement.
- 3) Auto engagement of rod in first stroke
- 4) Leak proof quick connecting coupler.
- 5) 360°x180° swivel for better degree of movement.
- 6) Hard chrome plating of piston rod for wear resistance.
- 7) High quality seals for high pressure.
- 8) Torsion free reaction pad.
- 9) Never-Lock drive pawl.
- 10) Lock Pin



DIMENSIONAL DATA

Technical Data	THL-2		THL-4		THL-8		THL-14		THL-32	
Overall Length L mm (inch)	164 6.46	169 6.65	202 7.95	218 8.58	267 10.51	285 11.22	325 12.80	329 12.95	408 16.06	443 17.44
H1 mm (inch)	132 5.20	143 5.63	168 6.61	184 7.24	198 7.80	223 8.78	237 9.33	251 9.88	299 11.77	321 12.64
H2 mm (inch)	99 3.90	110 4.33	129 5.08	144 5.67	159 6.26	184 7.24	193 7.60	209 8.23	259 10.20	281 11.06
W1 mm (inch)	32.2 1.27	32.2 1.27	40.6 1.60	40.6 1.60	52.5 2.07	52.5 2.07	63 2.48	63 2.48	83 3.27	83 3.27
W2 mm (inch)	34.4 1.35	34.4 1.35	49.5 1.95	49.5 1.95	61.5 2.42	61.5 2.42	81 3.19	81 3.19	93 3.66	93 3.66
(Q) Nose Radius mm (inch)	22 - 43 0.87-1.69	43 - 46 1.69-1.81	33 - 46 1.30-1.81	46 - 60 1.81-2.36	42 - 63 1.65-2.48	63 - 81 2.48-3.19	53 - 80 2.09-3.15	80 - 92 3.15-3.62	90 - 114 3.54-4.49	114 - 128 4.49-5.04
R min mm (inch)	9.5 0.37	10 0.39	10 0.39	13 0.51	12 0.47	20 0.79	17 0.67	22 0.87	25 0.98	25 0.98
R max mm (inch)	14.5 0.57	15.5 0.61	15 0.59	18 0.71	20 0.79	24 0.94	27 1.06	29 1.14	31 1.22	31 1.22

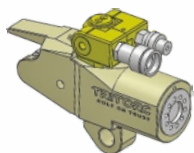
LINK SELECTION

- Compact design with longer arm improves the reliability
- More accurate and easier to use, since the wrench directly operates on the nuts
- 360x160 degree swivel or 360x360 degree swivel allows the wrench to operate freely in confined areas.

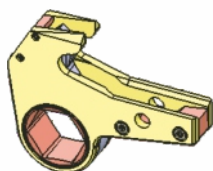


THL-2 Link	Hex Size		THL-4 Link	Hex Size		THL-8 Link	Hex Size		THL-14 Link	Hex Size		THL-32 Link	Hex Size	
	Inch	mm		Inch	mm		Inch	mm		Inch	mm		Inch	mm
HL-2-19	3/4	19	HL-4-33	1-5/16		HL-8-41	1-5/8	41	HL-14-50		50	HL-32-108	4-1/4	
HL-2-20	13/16		HL-4-34		34	HL-8-42	1-11/16		HL-14-51	2		HL-32-109	4-5/16	
HL-2-21		21	HL-4-35	1-3/8		HL-8-44	1-3/4		HL-14-52	2-1/16		HL-32-110		110
HL-2-22	7/8	22	HL-4-36		36	HL-8-46	1-13/16	46	HL-14-53	2-1/8		HL-32-111	4-3/8	
HL-2-23	15/16		HL-4-37	1-7/16		HL-8-47	1-7/8		HL-14-55	2-3/16	55	HL-32-112	4-7/16	
HL-2-24		24	HL-4-38	1-1/2	38	HL-8-49	1-15/16	49	HL-14-57	2-1/4		HL-32-114	4-1/2	
HL-2-25	1		HL-4-39	1-9/16		HL-8-50		50	HL-14-58	2-5/16		HL-32-115		115
HL-2-27	1-1/16	27	HL-4-41	1-5/8	41	HL-8-51	2		HL-14-60	2-3/8	60	HL-32-116	4-9/16	
HL-2-28	1-1/8		HL-4-42	1-11/16		HL-8-52	2-1/16		HL-14-62	2-7/16		HL-32-117	4-5/8	117
HL-2-30	1-3/16	30	HL-4-44	1-3/4		HL-8-54	2-1/8		HL-14-63	2-1/2		HL-32-119	4-11/16	
HL-2-31	1-1/4"		HL-4-46	1-13/16	46	HL-8-55	2-3/16	55	HL-14-65	2-9/16	65	HL-32-120		120
HL-2-32		32	HL-4-47	1-7/8		HL-8-57	2-1/4		HL-14-66	2-5/8		HL-32-121	4-3/4	
HL-2-33	1-5/16		HL-4-49	1-15/16	49	HL-8-58	2-5/16		HL-14-68	2-11/16		HL-32-122	4-13/16	
HL-2-34		34	HL-4-50		50	HL-8-60	2-3/8	60	HL-14-70	2-3/4	70	HL-32-123	4-7/8	
HL-2-35	1-3/8	35	HL-4-51	2		HL-8-61	2-7/16		HL-14-71	2-13/16		HL-32-125		125
HL-2-36		36	HL-4-52	2-1/16		HL-8-63	2-1/2		HL-14-73	2-7/8		HL-32-126	4-15/16	
HL-2-37	1-7/16		HL-4-53	2-1/8		HL-8-65	2-9/16	65	HL-14-75	2-15/16	75	HL-32-127	5	127
HL-2-38	1-1/2	38	HL-4-55	2-3/16	55	HL-8-66	2-5/8		HL-14-76	3		HL-32-128	5-1/16	
HL-2-39	1-9/16		HL-4-57	2-1/4		HL-8-68	2-11/16		HL-14-77	3-1/16		HL-32-130	5-1/8	
HL-2-41	1-5/8	41	HL-4-58	2-5/16		HL-8-70	2-3/4	70	HL-14-79	3-1/8		HL-32-131	5-3/16	
HL-242	1-11/16		HL-4-60	2-3/8"	60	HL-8-71	2-13/16		HL-14-80		80	HL-32-133	5-1/4	
HL-2-44	1-3/4		HL-4-61	2-7/16		HL-8-73	2-7/8		HL-14-81	3-3/16		HL-32-134	5-5/16	135
HL-2-46	1-13/16	46	HL-4-63	2-1/2		HL-8-75	2-15/16	75	HL-14-82	3-1/4		HL-32-136	5-3/8	
HL-2-47	1-7/8		HL-4-65	2-9/16	65	HL-8-76	3		HL-14-84	3-5/16		HL-32-138	5-7/16	
HL-2-49	1-15/16	49	HL-4-66	2-5/8		HL-8-77	3-1/16		HL-14-85		85	HL-32-140	5-1/2	140
HL-2-50		50	HL-4-68	2-11/16		HL-8-79	3-1/8		HL-14-86	3-3/8		HL-32-141	5-9/16	
HL-2-51	2		HL-4-70	2-3/4	70	HL-8-80		80	HL-14-87	3-7/16		HL-32-142	5-5/8	
HL-2-52	2-1/16		HL-4-71	2-13/16		HL-8-81	3-3/16		HL-14-89	3-1/2		HL-32-144	5-11/16	
HL-2-54	2-1/8		HL-4-73	2-7/8		HL-8-82	3-1/4		HL-14-90		90	HL-32-145		145
HL-2-55	2-3/16	55	HL-4-75	2-15/16	75	HL-8-84	3-5/16		HL-14-91	3-9/16		HL-32-146	5-3/4	
HL-2-57	2-1/4		HL-4-76	3		HL-8-85		85	HL-14-92	3-5/8		HL-32-147	5-13/16	
HL-2-59	2-5/16		HL-4-77	3-1/16		HL-8-86	3-3/8		HL-14-93	3-11/16		HL-32-149	5-7/8	
HL-2-60	2-3/8	60	HL-4-79	3-1/8		HL-8-87	3-7/16		HL-14-95	3-3/4	95	HL-32-150		150
			HL-4-80		80	HL-8-88	3-1/2		HL-14-96	3-13/16		HL-32-151	5-15/16	
						HL-8-90		90	HL-14-98	3-7/8		HL-32-152	6	
						HL-8-91	3-9/16		HL-14-100	3-15/16	100	HL-32-153	6-1/16	
						HL-8-92	3-5/8		HL-14-101	4		HL-32-155		155
						HL-8-93	3-11/16		HL-14-104	4-1/6		HL-32-156	6-1/8	
						HL-8-95	3-3/4	95	HL-14-105	4-1/8	105	HL-32-157	6-3/16	
						HL-8-96	3-13/16		HL-14-106	4-3/16		HL-32-158	6-1/4	
						HL-8-98	3-7/8		HL-14-107	4-1/4		HL-32-160		160
						HL-8-100	3-15/16	100	HL-14-109	4-5/16		HL-32-161	6-5/16	
						HL-8-101	4		HL-14-110		110	HL-32-162	6-3/8	
						HL-8-103	4-1/16		HL-14-111	4-3/8		HL-32-163	6-7/16	
						HL-8-105	4-1/8	105	HL-14-112	4-7/16		HL-32-165	6-1/2	165
									HL-14-114	4-1/2		HL-32-166	6-9/16	
									HL-14-115		115	HL-32-168	6-5/8	
									HL-14-117		117	HL-32-170	6-11/16	170
												HL-32-171	6-3/4	
												HL-32-173	6-13/16	
												HL-32-174	6-7/8	
												HL-32-175		175

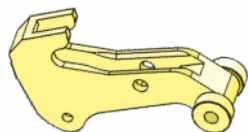
ACCESSORIES



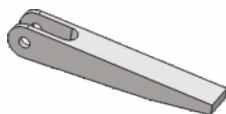
THL Cylinder



Ratchet Link



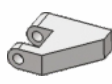
Spanner Holder



Extended Reaction Arm



Hex Reducer



Low Point Reaction Pad



Stack Socket



Hex to Square Drive Adapter



Open End Head



Ring Type Head

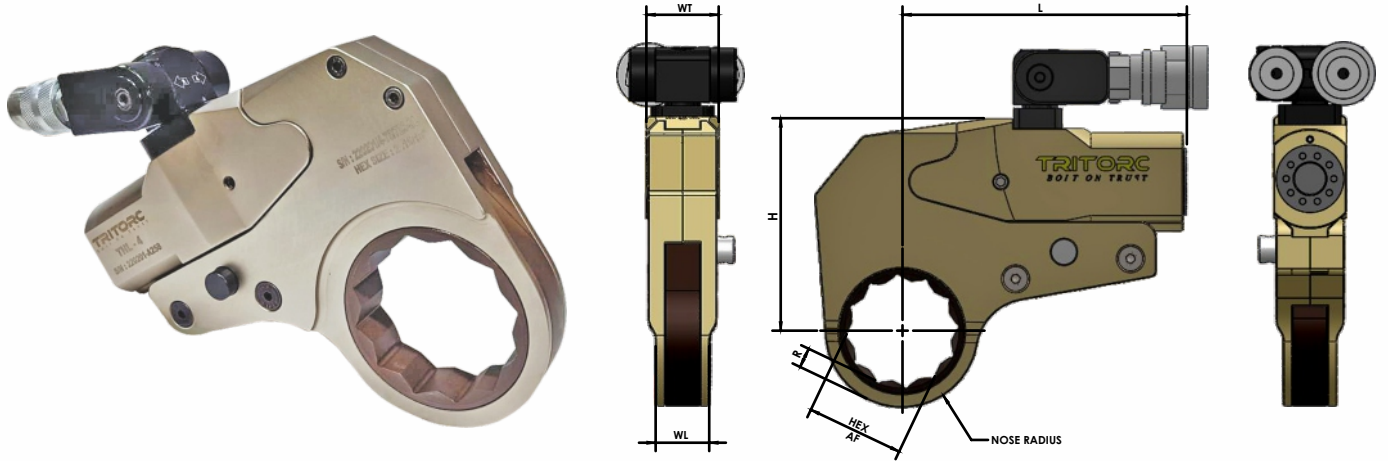
LOW PROFILE HYDRAULIC TORQUE WRENCH (ULTRA SLIM)

TRITORC offers a series of Low Profile Torque Wrenches which are crucial for applications in constricted spaces like Christmas Tree on BOP.

The reduced dimensions allow the tool to fit into tight spaces easily.

The hydraulic hose connector/coupler swivels in an arc of 180° x 360° allowing access for hydraulic hoses from all practical directions, this allows operations even in confined spaces.

A High Performance Steel Alloy used for several components including the Housing. This keeps the tool light, compact and strong.



TECHNICAL DATA

Power Head		Torque Range		Hex Size mm (inch)	L mm (inch)	H mm (inch)	WL mm (inch)	WT mm (inch)	Radius (Nose Width)
		Min	Max						
THL-2	Ft.Lbs Nm	214 293	2217 3051	36.51 (1-7/16)	135 (5.31)	101 (3.97)	25.5 (1.00)	34.4 (1.35)	8.9 (0.35)
				31.75 (1-1/4)	135 (5.31)	101 (3.97)	25.5 (1.00)	34.4 (1.35)	8.9 (0.35)
				46.03 (1-13/16)	135 (5.31)	101 (3.97)	25.5 (1.00)	34.4 (1.35)	8.9 (0.35)
				41.28 (1-5/8)	135 (5.31)	135 (5.31)	25.5 (1.00)	34.4 (1.35)	8.9 (0.35)
				50.8 (2)	139 (5.47)	104 (4.09)	25.5 (1.00)	34.4 (1.35)	8.9 (0.35)
				55.58 (2-3/16)	137 (5.39)	110 (4.33)	25.5 (1.00)	34.4 (1.35)	8.9 (0.35)
				60.33 (2-3/8)	137 (5.39)	111 (4.37)	25.5 (1.00)	34.4 (1.35)	8.9 (0.35)
THL-4	Ft.Lbs Nm	443 608	4891 6733	65.1 (2-9/16)	174 (6.85)	142 (5.59)	28.7 (1.13)	49.5 (1.95)	11.5 (0.45)
				69.85 (2-3/4)	176 (6.93)	142 (5.59)	28.7 (1.13)	49.5 (1.95)	11.5 (0.45)
				74.63 (2-15/16)	176 (6.93)	142 (5.59)	28.7 (1.13)	49.5 (1.95)	11.5 (0.45)
THL-8	Ft.Lbs Nm	867 1192	9323 12834	53.98 (2-1/8)	216 (8.50)	154 (6.06)	38 (1.49)	61.5 (2.42)	13.35 (0.53)
				79.38 (3-1/8)	216 (8.50)	154 (6.06)	38 (1.49)	61.5 (2.42)	14.45 (0.57)

Note: For Higher Torque Values we can provide you with Customized Solutions.

TRITORC

Perfect Product, Unmatched Quality.
No Ambiguity, Full Accountability.
Uncompromising Quality, Unbeatable Prices.

OUR PRESENCE



OUR PRESENCE

TRITORC EQUIPMENTS PVT. LTD.

Kripam House, Plot No. A-158,
Road No. 25, Wagle Industrial Estate,
Thane - 400604, INDIA.
Tel.: 022 - 4126 6028

TRITORC ENGINEERING SERVICES & TRADING LLC

P.O. Box 590, P.C 111 / Misfah Indl. Area,
Block 2 / Plot 5502, Baushar,
Sultanate of Oman. Tel.: +968 - 95381059

TRITORC KSA

Jubail, Tel.: +966 - 54 613 3431
+966 - 58 067 3032

TRITORC FZC

P6 - 081, Saif Zone,
P.O. Box - 513586, Sharjah, UAE.
Tel.: +971 - 65529407

TRITORC OILFIELD & EQUIPMENT SERVICES LLC

M11 Musaffah, P.O. Box No- 93050,
Abu Dhabi, UAE. Tel.: +971 - 24464927

TRITORC INC.

5041, Spencer Highway Suite,
#302, Pasadena, Texas - 77505.
Tel.: +1 (832) - 831-4342

TRITORC QATAR

C/o Trading & Agency Services (TRAGS)

P.O. Box - 1884, Doha, Qatar.
Tel.: +974 - 4446 2900

TRITORC KUWAIT

P.O. Box 5114, Salmiya, Kuwait.
Tel.: +965 - 94167197

TRITORC NIGERIA

Port Harcourt, Nigeria.
Tel.: +234 - 818 604 4310

TRITORC ALGERIA

Algiers, Tel.: +213 - 6 60605386